

SIRUBA®

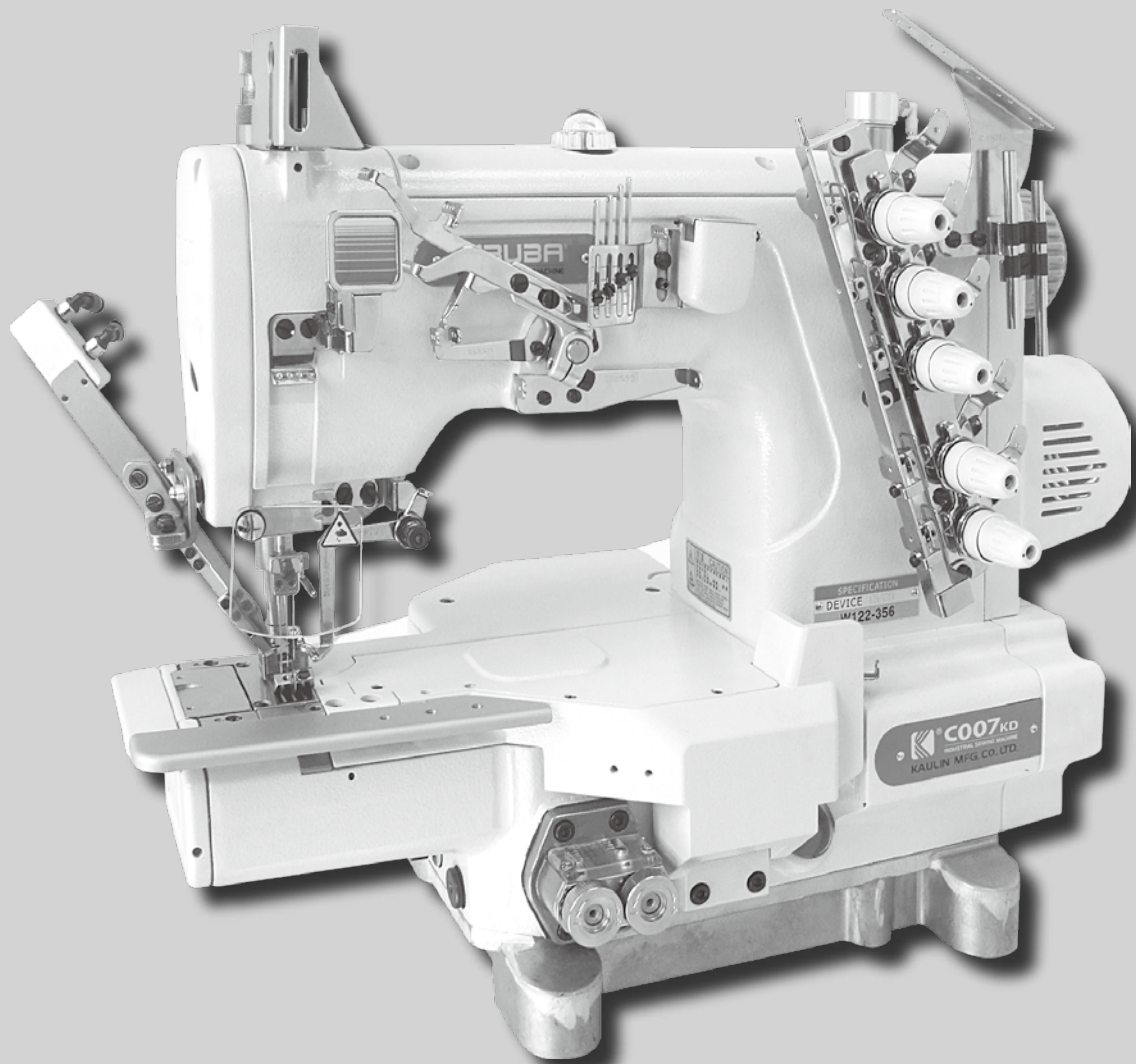
銀箭牌工業用縫紉機

INDUSTRIAL SEWING MACHINE

C007K / C007KD

C858K / C858KD

零件圖 PARTS LIST



CE



高林股份有限公司
KAULIN MFG. CO., LTD.

MODEL 機型	SUB-CLASS 規格	NEEDLE CLAMP 針座	NEEDLE PLATE 針板	MAIN FEED DOG 主送具	DIFF. FEED DOG 差送具	PRESSER FOOT 押具	SPREADER 上叉	LOOPER 勾針	NEEDLE 針號
C007K-W121 C858K /CH	240	M5240K	E5240KL	D5356K	H5356K-E	P5240K-A	MH41	MT01	UYX128GAS#10
	248	M5248K	E5248KL	D5356K	H5356K-E	P5248K-A	—	—	—
	348	M5348K	E5348KL	D5356K	H5356K-E	P5348K-A	—	—	—
	356	M5356K	E5356KL	D5356K	H5356K-E	P5356K-A	—	—	—
	364	M5364K	E5364KL	D5356K	H5356K-E	P5364K-A	—	—	—
C007K-U121 C858K /CH	240	M5240K	E5240KL	D5356K	H5356K-E	P5240K-A	—	—	—
	248	M5248K	E5248KL	D5356K	H5356K-E	P5248K-A	—	—	—
	348	M5348K	E5348KL	D5356K	H5356K-E	P5348K-A	—	—	—
	356	M5356K	E5356KL	D5356K	H5356K-E	P5356K-A	—	—	—
	364	M5364K	E5364KL	D5356K	H5356K-E	P5364K-A	—	—	—
C007K-U121 C858K /CH/UTP(UTR)	240	M5240K	E5240KL	D5356K	H5356K-E	P5240K-A	MH41	MT01	UYX128GAS#10
	248	M5248K	E5248KL	D5356K	H5356K-E	P5248K-A	—	—	—
	348	M5348K	E5348KL	D5356K	H5356K-E	P5348K-A	—	—	—
	356	M5356K	E5356KL	D5356K	H5356K-E	P5356K-A	—	—	—
	364	M5364K	E5364KL	D5356K	H5356K-E	P5364K-A	—	—	—
C007K-U121 C858K /CH/UTQ(UTS)	240	M5240K	E5240KL	D5356K	H5356K-E	P5240K-A	—	—	—
	248	M5248K	E5248KL	D5356K	H5356K-E	P5248K-A	—	—	—
	348	M5348K	E5348KL	D5356K	H5356K-E	P5348K-A	—	—	—
	356	M5356K	E5356KL	D5356K	H5356K-E	P5356K-A	—	—	—
	364	M5364K	E5364KL	D5356K	H5356K-E	P5364K-A	—	—	—
C007K-W122 C858K /CH	240	M5240K	E5240KM	D5356K	H5356K-E	P5240K-A	MH41	MT01	UYX128GAS#10
	248	M5248K	E5248KM	D5356K	H5356K-E	P5248K-A	—	—	—
	348	M5348K	E5348KM	D5356K	H5356K-E	P5348K-A	—	—	—
	356	M5356K	E5356KM	D5356K	H5356K-E	P5356K-A	—	—	—
	364	M5364K	E5364KM	D5356K	H5356K-E	P5364K-A	—	—	—
C007K-U122 C858K /CH	240	M5240K	E5240KM	D5356K	H5356K-E	P5240K-A	—	—	—
	248	M5248K	E5248KM	D5356K	H5356K-E	P5248K-A	—	—	—
	348	M5348K	E5348KM	D5356K	H5356K-E	P5348K-A	—	—	—
	356	M5356K	E5356KM	D5356K	H5356K-E	P5356K-A	—	—	—
	364	M5364K	E5364KM	D5356K	H5356K-E	P5364K-A	—	—	—

規格件表 CONVERSION CHART

規格件表 CONVERSION CHART

MODEL 機型	SUB-CLASS 規格	NEEDLE CLAMP 針座	NEEDLE PLATE 針板	MAIN FEED DOG 主送具	DIFF. FEED DOG 差送具	PRESSER FOOT 押具	SPREADER 上叉	LOOPER 勾針	NEEDLE 針號
C007K -W122 C858K CH/UTP(UTR)	240	M5240K	E5240KM	D5356K	H5356K-E	P5240K-A	MH41	MT01	UYX128GAS#10
	248	M5248K	E5248KM	D5356K	H5356K-E	P5248K-A	—	MT01	UYX128GAS#10
	348	M5348K	E5348KM	D5356K	H5356K-E	P5348K-A	—	MT01	UYX128GAS#10
	356	M5356K	E5356KM	D5356K	H5356K-E	P5356K-A	—	MT01	UYX128GAS#10
	364	M5364K	E5364KM	D5356K	H5356K-E	P5364K-A	—	MT01	UYX128GAS#10
C007K -U122 C858K CH/UTQ(UTS)	240	M5240K	E5240KM	D5356K	H5356K-E	P5240K-A	—	MT01	UYX128GAS#10
	248	M5248K	E5248KM	D5356K	H5356K-E	P5248K-A	—	MT01	UYX128GAS#10
	348	M5348K	E5348KM	D5356K	H5356K-E	P5348K-A	—	MT01	UYX128GAS#10
	356	M5356K	E5356KM	D5356K	H5356K-E	P5356K-A	—	MT01	UYX128GAS#10
	364	M5364K	E5364KM	D5356K	H5356K-E	P5364K-A	—	MT01	UYX128GAS#10
C007K -W123 C858K /CH	240	M5240K	E5240KH	D5356K	H5356K-E	P5240K-A	—	MT01	UYX128GAS#10
	248	M5248K	E5248KH	D5356K	H5356K-E	P5248K-A	—	MT01	UYX128GAS#10
	348	M5348K	E5348KH	D5356K	H5356K-E	P5348K-A	MH41	MT01	UYX128GAS#10
	356	M5356K	E5356KH	D5356K	H5356K-E	P5356K-A	—	MT01	UYX128GAS#10
	364	M5364K	E5364KH	D5356K	H5356K-E	P5364K-A	—	MT01	UYX128GAS#10
C007K -W132 C858K /CHE	240	M5240K	E5240DM	D5240D	H5240D	P2904-A	—	MT01	UYX128GAS#10
	248	M5248K	E5248DM	D5240D	H5240D	P2905-A	—	MT01	UYX128GAS#10
	356	M5356K	E5356DM	D5356D	H5356D	P2906-A	MH41	MT01	UYX128GAS#10
	364	M5364K	E5364DM	D5356D	H5356D	P2907-A	—	MT01	UYX128GAS#10
	356	M5356K	E5356DM	D5356D	H5356D	P2906-A	—	MT01	UYX128GAS#10
364	M5364K	E5364DM	D5356D	H5356D	P2907-A	—	MT01	UYX128GAS#10	

MODEL 機型	SUB-CLASS 規格	NEEDLE CLAMP 針座	NEEDLE PLATE 針板	MAIN FEED DOG 主送具	DIFF. FEED DOG 差送具	PRESSER FOOT 押具	SPREADER 上叉	LOOPER 勾針	NEEDLE 針號
C007K C858K /CZ/UTP/RLQ	356 364	M5356K M5364K	E5356LM E5364LM	D5356G D5364G	H5356L H5364L	P2416-A P2417-A	MH41	MT01	UYX128GAS#10
C007K C858K /CZ/UTQ/RLQ	356 364	M5356K M5364K	E5356LM E5364LM	D5356G D5364G	H5356L H5364L	P2416-A P2417-A	—	MT01	UYX128GAS#10
C007K C858K /CZ/CLA/UTP/RLQ	356 364	M5356K M5364K	E5356LM E5364LM	D5356G D5364G	H5356L H5364L	P2416-A P2417-A	MH41	MT01	UYX128GAS#10
C007K C858K /CZ/CLA/UTQ/RLQ	356 364	M5356K M5364K	E5356LM E5364LM	D5356G D5364G	H5356L H5364L	P2416-A P2417-A	—	MT01	UYX128GAS#10
C007K C858K -W162	240 248 348 356 364	M5240K M5248K M5348K M5356K M5364K	E5240KHA E5248KHA E5348KHA E5356KHA E5364KHA	D5356K D5356K D5356K D5356K D5356K	H5356K-E H5356K-E H5356K-E H5356K-E H5356K-E	P5240K-A P5248K-A P5348K-A P5356K-A P5364K-A	MH41	MT01A	TVX5#14~16
C007K C858K -U162	240 248 348 356 364	M5240K M5248K M5348K M5356K M5364K	E5240KHA E5248KHA E5348KHA E5356KHA E5364KHA	D5356K D5356K D5356K D5356K D5356K	H5356K-E H5356K-E H5356K-E H5356K-E H5356K-E	P5240K-A P5248K-A P5348K-A P5356K-A P5364K-A	—	MT01A	TVX5#14~16
C007K C858K /UTP (UTR)	240 248 348 356 364	M5240K M5248K M5348K M5356K M5364K	E5240KHA E5248KHA E5348KHA E5356KHA E5364KHA	D5356K D5356K D5356K D5356K D5356K	H5356K-E H5356K-E H5356K-E H5356K-E H5356K-E	P5240K-A P5248K-A P5348K-A P5356K-A P5364K-A	MH41	MT01A	TVX5#14~16

規格件表 CONVERSION CHART

規格件表 CONVERSION CHART

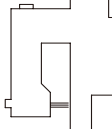

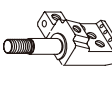
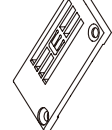
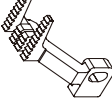

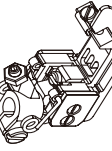

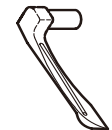

MODEL 機型	SUB-CLASS 規格	NEEDLE CLAMP 針座	NEEDLE PLATE 針板	MAIN FEED DOG 主送具	DIFF. FEED DOG 差送具	PRESSER FOOT 押具	SPREADER 上叉	LOOPER 勾針	NEEDLE 針號
C007K-W222 C858K /CQ	240 248 356 364	M5240K M5248K M5356K M5364K	E5240GM E5248GM E5356GM E5364GM	D5240G D5240G D5240G D5356G	H5240G H5240G H5240G H5356G	P1814-A P1815-A P2116-A P2117-A	MH41	MT01A	UYX128GAS#10
C007K-U222 C858K /CQ	240 248 356 364	M5240K M5248K M5356K M5364K	E5240GM E5248GM E5356GM E5364GM	D5240G D5240G D5240G D5356G	H5240G H5240G H5240G H5356G	P1814-A P1815-A P2116-A P2117-A	—	MT01A	UYX128GAS#10
C007K-W222 C858K /CLA	356	M5356K	E5356EMA	D5356D	H5356E	P2906Q-A	MH41	MT01A	TVX5#14
C007K-W322 C858K /CC	356 364	M5356K M5364K	E5356AM E5364AM	D5356K	H5356A	P2456-A P2457-A	MH41	MT01	UYX128GAS#10
C007K-U322 C858K /CC	356 364	M5356K M5364K	E5356AM E5364AM	D5356K	H5356A	P2456-A P2457-A	—	MT01	UYX128GAS#10
C007K-W322 C858K /CC/UTP(UTR)	356 364	M5356K M5364K	E5356AM E5364AM	D5356K	H5356A	P2456-A P2457-A	MH41	MT01	UYX128GAS#10
C007K-U322 C858K /CC/UTQ(UTS)	356 364	M5356K M5364K	E5356AM E5364AM	D5356K	H5356A	P2456-A P2457-A	—	MT01	UYX128GAS#10
C007K-W322 C858K /CE	356 364	M5356K M5364K	E5356BM E5364BM	D5356K	H5356B	P2456-A P2457-A	MH41	MT01	UYX128GAS#10
C007K-U322 C858K /CE	356 364	M5356K M5364K	E5356BM E5364BM	D5356K	H5356B	P2456-A P2457-A	—	MT01	UYX128GAS#10
C007K-W322 C858K CE/UTP(UTR)	356 364	M5356K M5364K	E5356BM E5364BM	D5356K	H5356B	P2456-A P2457-A	MH41	MT01	UYX128GAS#10
C007K-U322 C858K CE/UTQ(UTS)	356 364	M5356K M5364K	E5356BM E5364BM	D5356K	H5356B	P2456-A P2457-A	—	MT01	UYX128GAS#10

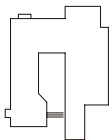

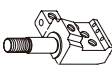
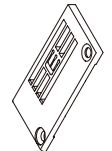
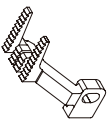
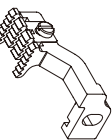
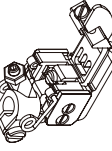

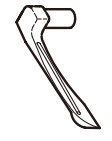

MODEL	SUB-CLASS	NEEDLE CLAMP	NEEDLE PLATE	MAIN FEED DOG	DIFF. FEED DOG	PRESSER FOOT	SPREADER	LOOPER	NEEDLE
機型	規格	針座	針板	主送具	差送具	押具	上叉	勾針	針號
C007K-U162 C858K /UTQ (UTS)	240 248 348 356 364	M5240K M5248K M5348K M5356K M5364K	E5240KHA E5248KHA E5348KHA E5356KHA E5364KHA	D5356K D5356K D5356K D5356K D5356K	H5356K-E H5356K-E H5356K-E H5356K-E H5356K-E	P5240K-A P5248K-A P5348K-A P5356K-A P5364K-A	—	MT01A	TVX5#14~16
C007K-W811 C858K /CRL/RL	248 356 364	M5248K M5356K M5364K	E5248HLA E5356HLA E5364HLA	D2101Q	H5356H	P5248H-A P5356H-A P5364H-A	MH41	MT01	TVX5 #14
C007K-W811A C858K /CRL/RL	248 356 364	M5248K M5356K M5364K	E5248JLA E5356JLA E5364JLA	D2101Q	H5356J	P5248H-A P5356H-A P5364H-A	MH41	MT01	TVX5 #14
C007K-U811 C858K /CRL/RL	248 356 364	M5248K M5356K M5364K	E5248HLA E5356HLA E5364HLA	D2101Q	H5356H	P0965-A P0966-A P0967-A	—	MT01	TVX5 #14
C007K-U811A C858K /CRL/RL	248 356 364	M5248K M5356K M5364K	E5248JLA E5356JLA E5364JLA	D2101Q	H5356J	P0965-A P0966-A P0967-A	—	MT01	TVX5 #14
C007K-W811 C858K CRL/UTP/RL	248 356 364	M5248K M5356K M5364K	E5248HLA E5356HLA E5364HLA	D2101Q	H5356H	P5248H-A P5356H-A P5364H-A	MH41	MT01	TVX5 #14
C007K-W811A C858K CRL/UTP/RL	248 356 364	M5248K M5356K M5364K	E5248JLA E5356JLA E5364JLA	D2101Q	H5356J	P5248H-A P5356H-A P5364H-A	MH41	MT01	TVX5 #14
C007K-U811 C858K CRL/UTQ/RL	248 356 364	M5248K M5356K M5364K	E5248HLA E5356HLA E5364HLA	D2101Q	H5356H	P0965-A P0966-A P0967-A	—	MT01	TVX5 #14
C007K-U811A C858K CRL/UTQ/RL	248 356 364	M5248K M5356K M5364K	E5248JLA E5356JLA E5364JLA	D2101Q	H5356J	P0965-A P0966-A P0967-A	—	MT01	TVX5 #14

註：C007K-W812A/W813A機型之針板與差送具為5排齒，C858K-W812A/W813A機型之針板與差送具為5排齒。
C007K-W812/W813機型之針板與差送具為4排齒，C858K-W812/W813機型之針板與差送具為4排齒。

規格件表 CONVERSION CHART

規格件表 CONVERSION CHART

									
MODEL	SUB-CLASS	NEEDLE CLAMP	NEEDLE PLATE	MAIN FEED DOG	DIFF. FEED DOG	PRESSER FOOT	SPREADER	LOOPER	NEEDLE
機型	規格	針座	針板	主送具	差送具	押具	上叉	勾針	針號
C007K-W812 C858K-W812 /CRL/RL	232 248 356 364	M5232K M5248K M5356K M5364K	E5232HM E5248HM E5356HM E5364HM	D2101Q	H5356H	P5232H-A P5248H-A P5356H-A P5364H-A	MH41	MT01	UYX128GAS#10
C007K-W812A C858K-W812A /CRL/RL	248 356 364	M5248K M5356K M5364K	E5248JM E5356JM E5364JM	D2101Q	H5356J	P5248H-A P5356H-A P5364H-A	MH41	MT01	UYX128GAS#10
C007K-U812 C858K-U812 /CRL/RL	248 356 364	M5248K M5356K M5364K	E5248HM E5356HM E5364HM	D2101Q	H5356H	P0965-A P0966-A P0967-A	—	MT01	UYX128GAS#10
C007K-U812A C858K-U812A /CRL/RL	248 356 364	M5248K M5356K M5364K	E5248JM E5356JM E5364JM	D2101Q	H5356J	P0965-A P0966-A P0967-A	—	MT01	UYX128GAS#10
C007K-W812 C858K-W812 CRL/UTP/RL	248 356 364	M5248K M5356K M5364K	E5248HM E5356HM E5364HM	D2101Q	H5356H	P5248H-A P5356H-A P5364H-A	MH41	MT01	UYX128GAS#10
C007K-W812A C858K-W812A CRL/UTP/RL	248 356 364	M5248K M5356K M5364K	E5248JM E5356JM E5364JM	D2101Q	H5356J	P5248H-A P5356H-A P5364H-A	MH41	MT01	UYX128GAS#10
C007K-U812 C858K-U812 CRL/UTQ/RL	248 356 364	M5248K M5356K M5364K	E5248HM E5356HM E5364HM	D2101Q	H5356H	P0965-A P0966-A P0967-A	—	MT01	UYX128GAS#10
C007K-U812A C858K-U812A CRL/UTQ/RL	248 356 364	M5248K M5356K M5364K	E5248JM E5356JM E5364JM	D2101Q	H5356J	P0965-A P0966-A P0967-A	—	MT01	UYX128GAS#10

									
MODEL	SUB-CLASS	NEEDLE CLAMP	NEEDLE PLATE	MAIN FEED DOG	DIFF. FEED DOG	PRESSER FOOT	SPREADER	LOOPER	NEEDLE
機型	規格	針座	針板	主送具	差送具	押具	上叉	勾針	針號
C007K-W812 C858K /CRL/UTR	248 356 364	M5248K M5356K M5364K	E5248HM E5356HM E5364HM	D2101Q	H5356H	P5248H-A P5356H-A P5364H-A	MH41	MT01	UYX128GAS#10
C007K-W812A C858K /CRL/UTR	248 356 364	M5248K M5356K M5364K	E5248JM E5356JM E5364JM	D2101Q	H5356J	P5248H-A P5356H-A P5364H-A	MH41	MT01	UYX128GAS#10
C007K-U812 C858K /CRL/UTS	248 356 364	M5248K M5356K M5364K	E5248HM E5356HM E5364HM	D2101Q	H5356H	P0965-A P0966-A P0967-A	MH41	MT01	UYX128GAS#10
C007K-U812A C858K /CRL/UTS	248 356 364	M5248K M5356K M5364K	E5248JM E5356JM E5364JM	D2101Q	H5356J	P0965-A P0966-A P0967-A	MH41	MT01	UYX128GAS#10
C007K-W813 C858K /CRL/RL	248 356 364	M5248K M5356K M5364K	E5248HH E5356HH E5364HH	D2101Q	H5356H	P5248H-A P5356H-A P5364H-A	MH41	MT01	UYX128GAS#10
C007K-W813A C858K /CRL/RL	248 356 364	M5248K M5356K M5364K	E5248JH E5356JH E5364JH	D2101Q	H5356J	P5248H-A P5356H-A P5364H-A	MH41	MT01	UYX128GAS#10
C007K-U813 C858K /CRL/RL	248 356 364	M5248K M5356K M5364K	E5248HH E5356HH E5364HH	D2101Q	H5356H	P0965-A P0966-A P0967-A	—	MT01	UYX128GAS#10
C007K-U813A C858K /CRL/RL	248 356 364	M5248K M5356K M5364K	E5248JH E5356JH E5364JH	D2101Q	H5356J	P0965-A P0966-A P0967-A	—	MT01	UYX128GAS#10

註：C007K-W812A/W813A 機型之針板與差送具為5排齒。
C007K-W812/W813 機型之針板與差送具為4排齒。

規格件表 CONVERSION CHART

規格件表 CONVERSION CHART

MODEL 機型	SUB-CLASS 規格	NEEDLE CLAMP 針座	NEEDLE PLATE 針板	MAIN FEED DOG 主送具	DIFF. FEED DOG 差送具	PRESSER FOOT 押具	SPREADER 上叉	LOOPER 勾針	NEEDLE 針
C007K-W813 C858K-W813 /CRL/UTR	248 356 364	M5248K M5356K M5364K	E5248HHA E5356HHA E5364HHA	D2101Q	H5356H	P5248H-A P5356H-A P5364H-A	MH41	MT01	TVX5 #14
C007K-W813A C858K-W813A /CRL/UTR	248 356 364	M5248K M5356K M5364K	E5248JHA E5356JHA E5364JHA	D2101Q	H5356J	P5248H-A P5356H-A P5364H-A	MH41	MT01	TVX5 #14
C007K-U813 C858K-U813 /CRL/UTS	248 356 364	M5248K M5356K M5364K	E5248HHA E5356HHA E5364HHA	D2101Q	H5356H	P0965-A P0966-A P0967-A	MH41	MT01	TVX5 #14
C007K-U813A C858K-U813A /CRL/UTS	248 356 364	M5248K M5356K M5364K	E5248JHA E5356JHA E5364JHA	D2101Q	H5356J	P0965-A P0966-A P0967-A	MH41	MT01	TVX5 #14
C007K-W922 C858K-W922 /CW	456 464	M5456K M5464K	E5456KM E5464KM	D5456K	H5456K	P5456K-A P5464K-A	MH41	MT01B	SM1014B#10
C007K-W922 C858K-W922 /CW/UTP	456 464	M5456K M5464K	E5456KM E5464KM	D5456K	H5456K	P5456K-A P5464K-A	MH41	MT01B	SM1014B#10
C007K-W922 C858K-W922 /CW/UTR	456 464	M5456K M5464K	E5456KM E5464KM	D5456K	H5456K	P5456K-A P5464K-A	MH41	MT01B	SM1014B#10

註：C007K-W812A/W813A機型之針板與差送具為5排齒。
C007K-W812/W813 機型之針板與差送具為4排齒。

MODEL	SUB-CLASS	NEEDLE CLAMP	NEEDLE PLATE	MAIN FEED DOG	DIFF. FEED DOG	PRESSER FOOT	SPREADER	LOOPER	NEEDLE	Motor
機型	規格	針座	針板	主送具	差送具	押具	上叉	勾針	針號	馬達
C007KD -W121 C858KD /CH	240	M5240K	E5240KL	D5356K	H5356K-E	P5240K-A	MH41	MT01	UYX128GAS#10	T501HE
	248	M5248K	E5248KL	D5356K	H5356K-E	P5248K-A	—	MT01		
	348	M5348K	E5348KL	D5356K	H5356K-E	P5348K-A	—	MT01		
	356	M5356K	E5356KL	D5356K	H5356K-E	P5356K-A	—	MT01		
	364	M5364K	E5364KL	D5356K	H5356K-E	P5364K-A	—	MT01		
C007KD -U121 C858KD /CH	240	M5240K	E5240KL	D5356K	H5356K-E	P5240K-A	—	MT01	UYX128GAS#10	T501HE
	248	M5248K	E5248KL	D5356K	H5356K-E	P5248K-A	—	MT01		
	348	M5348K	E5348KL	D5356K	H5356K-E	P5348K-A	MH41	MT01		
	356	M5356K	E5356KL	D5356K	H5356K-E	P5356K-A	—	MT01		
	364	M5364K	E5364KL	D5356K	H5356K-E	P5364K-A	—	MT01		
C007KD -U121 C858KD /CH/UTQ(UTS)	240	M5240K	E5240KM	D5356K	H5356K-E	P5240K-A	—	MT01	UYX128GAS#10	T501HE
	248	M5248K	E5248KM	D5356K	H5356K-E	P5248K-A	—	MT01		
	348	M5348K	E5348KM	D5356K	H5356K-E	P5348K-A	MH41	MT01		
	356	M5356K	E5356KM	D5356K	H5356K-E	P5356K-A	—	MT01		
	364	M5364K	E5364KM	D5356K	H5356K-E	P5364K-A	—	MT01		
C007KD -U122 C858KD /CH	240	M5240K	E5240KM	D5356K	H5356K-E	P5240K-A	—	MT01	UYX128GAS#10	T501HE
	248	M5248K	E5248KM	D5356K	H5356K-E	P5248K-A	—	MT01		
	348	M5348K	E5348KM	D5356K	H5356K-E	P5348K-A	—	MT01		
	356	M5356K	E5356KM	D5356K	H5356K-E	P5356K-A	—	MT01		
	364	M5364K	E5364KM	D5356K	H5356K-E	P5364K-A	—	MT01		

規格件表 CONVERSION CHART

規格件表 CONVERSION CHART

MODEL 機型	SUB-CLASS 規格	NEEDLE CLAMP 針座	NEEDLE PLATE 針板	MAIN FEED DOG 主送具	DIFF. FEED DOG 差送具	PRESSER FOOT 押具	SPREADER 上叉	LOOPER 勾針	NEEDLE 針號	Motor 馬達
C007KD-W122 C007KD- CH/UTP(UTR)	240	M5240K	E5240KM	D5356K	H5356K-E	P5240K-A	MH41	MT01	UYX128GAS#10	T501HE
	248	M5248K	E5248KM	D5356K	H5356K-E	P5248K-A	—	MT01		
	348	M5348K	E5348KM	D5356K	H5356K-E	P5348K-A	—	MT01		
	356	M5356K	E5356KM	D5356K	H5356K-E	P5356K-A	—	MT01		
	364	M5364K	E5364KM	D5356K	H5356K-E	P5364K-A	—	MT01		
C007KD-U122 C858KD- CH/UTQ(UTS)	240	M5240K	E5240KM	D5356K	H5356K-E	P5240K-A	—	MT01	UYX128GAS#10	T501HE
	248	M5248K	E5248KM	D5356K	H5356K-E	P5248K-A	—	MT01		
	348	M5348K	E5348KM	D5356K	H5356K-E	P5348K-A	—	MT01		
	356	M5356K	E5356KM	D5356K	H5356K-E	P5356K-A	—	MT01		
	364	M5364K	E5364KM	D5356K	H5356K-E	P5364K-A	—	MT01		
C007KD-U123 C007KD- /CH	240	M5240K	E5240KH	D5356K	H5356K-E	P5240K-A	MH41	MT01	UYX128GAS#10	T501HE
	248	M5248K	E5248KH	D5356K	H5356K-E	P5248K-A	—	MT01		
	348	M5348K	E5348KH	D5356K	H5356K-E	P5348K-A	—	MT01		
	356	M5356K	E5356KH	D5356K	H5356K-E	P5356K-A	—	MT01		
	364	M5364K	E5364KH	D5356K	H5356K-E	P5364K-A	—	MT01		
C007KD-W132 C858KD- /CHE	240	M5240K	E5240DM	D5240D	H5240D	P2904-A	MH41	MT01	UYX128GAS#10	T501HE
	248	M5248K	E5248DM	D5240D	H5240D	P2905-A	—	MT01		
	356	M5356K	E5356DM	D5356D	H5356D	P2906-A	—	MT01		
	364	M5364K	E5364DM	D5356D	H5356D	P2907-A	—	MT01		
	356	M5356K	E5356DM	D5356D	H5356D	P2906-A	MH41	MT01		
C007KD-U131 C858KD- CHK/UTP(UTR)	248	M5248K	E5248DM	D5356K	H5356K-E	P5348K-A	—	MT01	UYX128GAS#10	T501HE
	256	M5356K	E5356DM	D5356K	H5356K-E	P5356K-A	—	MT01		
	264	M5364K	E5364DM	D5356K	H5356K-E	P5364K-A	—	MT01		
	356	M5356K	E5356DM	D5356D	H5356D	P2906-A	MH41	MT01		
	364	M5364K	E5364DM	D5356D	H5356D	P2907-A	—	MT01		

MODEL	SUB-CLASS	NEEDLE CLAMP	NEEDLE PLATE	MAIN FEED DOG	DIFF. FEED DOG	PRESSER FOOT	SPREADER	LOOPER	NEEDLE	Motor
機型	規格	針座	針板	主送具	差送具	押具	上叉	勾針	針號	馬達
C007KD -W152 C858KD -U152 /CZ/UTP/RLQ	356 364	M5356K M5364K	E5356LM E5364LM	D5356G D5364G	H5356L H5364L	P2416-A P2417-A	MH41	MT01	UYX128GAS#10	T501HE
C007KD -U152 C858KD -U152 /CZ/UTQ/RLQ	356 364	M5356K M5364K	E5356LM E5364LM	D5356G D5364G	H5356L H5364L	P2416-A P2417-A	—	MT01	UYX128GAS#10	
C007KD -W152 C858KD -U152 /CZ/CLA/UTP/RLQ	356 364	M5356K M5364K	E5356LM E5364LM	D5356G D5364G	H5356L H5364L	P2416-A P2417-A	MH41	MT01	UYX128GAS#10	
C007KD -U152 C858KD -U152 /CZ/CLA/UTQ/RLQ	356 364	M5356K M5364K	E5356LM E5364LM	D5356G D5364G	H5356L H5364L	P2416-A P2417-A	—	MT01	UYX128GAS#10	
C007KD -W162 C858KD -U162	240 248 348	M5240K M5248K M5348K	E5240KH E5248KH E5348KH	D5356K D5356K D5356K	H5356K-E H5356K-E H5356K-E	P5240K-A P5248K-A P5348K-A	MH41	MT01A	TVX5#14~16	
C007KD -U162 C858KD -U162	240 248 348	M5240K M5248K M5348K	E5240KH E5248KH E5348KH	D5356K D5356K D5356K	H5356K-E H5356K-E H5356K-E	P5240K-A P5248K-A P5348K-A	—	MT01A	TVX5#14~16	
C007KD -W162 C858KD -U162 /UTP (UTR)	356 364	M5356K M5364K	E5356KH E5364KH	D5356K D5356K	H5356K-E H5356K-E	P5356K-A P5364K-A	MH41	MT01A	TVX5#14~16	
C007KD -U162 C858KD -U162 /UTQ (UTS)	240 248 348	M5240K M5248K M5348K	E5240KH E5248KH E5348KH	D5356K D5356K D5356K	H5356K-E H5356K-E H5356K-E	P5240K-A P5248K-A P5348K-A	—	MT01A	TVX5#14~16	
C007KD -U162 C858KD -U162 /UTQ (UTS)	356 364	M5356K M5364K	E5356KH E5364KH	D5356K D5356K	H5356K-E H5356K-E	P5356K-A P5364K-A	—	MT01A	TVX5#14~16	

規格件表 CONVERSION CHART

規格件表 CONVERSION CHART

MODEL 機型	SUB-CLASS 規格	NEEDLE CLAMP 針座	NEEDLE PLATE 針板	MAIN FEED DOG 主送具	DIFF. FEED DOG 差送具	PRESSER FOOT 押具	SPREADER 上叉	LOOPER 勾針	NEEDLE 針號	Motor 馬達
C007KD-W222 C858KD /CQ	240 248 356 364	M5240K M5248K M5356K M5364K		D5240G	H5240G H53	P1814-A P1815-A P2116-A P2117-A	MH41	MT01A	UYX128GAS#10	T501HE
C007KD-U222 C858KD /CQ	240 248 356 364	M5240K M5248K M5356K M5364K		D5240G	H5240G H5240G	P1814-A P1815-A P2116-A P2117-A	—	MT01A	UYX128GAS#10	
C007KD-W222 C858KD /CLA	356	M5356K	E5356EM	D5356D	H5356E	P2906Q-A	MH41	MT01A	TVX5 #14	
C007KD-W322 C858KD /CC	356 364	M5356K M5364K	E5356AM E5364AM	D5356K	H5356A	P2456-A P2457-A	MH41	MT01	UYX128GAS#10	
C007KD-U322 C858KD /CC	356 364	M5356K M5364K	E5356AM E5364AM	D5356K	H5356A	P2456-A P2457-A	—	MT01	UYX128GAS#10	
C007KD-W322 C858KD /CC/UTP(UTR)	356 364	M5356K M5364K	E5356AM E5364AM	D5356K	H5356A	P2456-A P2457-A	MH41	MT01	UYX128GAS#10	
C007KD-U322 C858KD /CC/UTQ(UTS)	356 364	M5356K M5364K	E5356AM E5364AM	D5356K	H5356A	P2456-A P2457-A	—	MT01	UYX128GAS#10	
C007KD-W322 C858KD /CE	356 364	M5356K M5364K	E5356BM E5364BM	D5356K	H5356B	P2456-A P2457-A	MH41	MT01	UYX128GAS#10	
C007KD-U322 C858KD /CE	356 364	M5356K M5364K	E5356BM E5364BM	D5356K	H5356B	P2456-A P2457-A	—	MT01	UYX128GAS#10	
C007KD-W322 C858KD CE/UTP(UTR)	356 364	M5356K M5364K	E5356BM E5364BM	D5356K	H5356B	P2456-A P2457-A	MH41	MT01	UYX128GAS#10	
C007KD-U322 C858KD /CE/UTQ(UTS)	356 364	M5356K M5364K	E5356BM E5364BM	D5356K	H5356B	P2456-A P2457-A	—	MT01	UYX128GAS#10	

MODEL	SUB-CLASS	NEEDLE CLAMP	NEEDLE PLATE	MAIN FEED DOG	DIFF. FEED DOG	PRESSER FOOT	SPREADER	LOOPER	NEEDLE	Motor
機型	規格	針座	針板	主送具	差送具	押具	上叉	勾針	針號	馬達
C007KD-W522 C858KD-U522 /CR/CL	356 364	M5356K M5364K	E5356CH E5364CH	D3222	H3268	P3816R-A P3817R-A	MH41	MT01	UYX128GAS#10	T501HE
C007KD-U522 /CR/CL	356 364	M5356K M5364K	E5356CH E5364CH	D3222	H3268	P3816R-A P3817R-A	—	MT01	UYX128GAS#10	
C007KD-W532 C858KD-RLP /CR/UTP/CL/RLP	232 356 364	M5232K M5356K M5364K	E5232CM E5356CH E5364CH	D3219 D3222 D3222	H3265 H3268 H3268	P3813R-A P3816R-A P3817R-A	MH41	MT01	UYX128GAS#10	
C007KD-U532 C858KD-RLP /CR/UTQ/CL/RLP	356 364	M5356K M5364K	E5356CH E5364CH	D3222	H3268	P3816R-A P3817R-A	MH41	MT01	UYX128GAS#10	

規格件表 CONVERSION CHART

MODEL	SUB-CLASS	NEEDLE CLAMP	NEEDLE PLATE	MAIN FEED DOG	DIFF. FEED DOG	PRESSER FOOT	SPREADER	LOOPER	NEEDLE	Motor
機型	規格	針座	針板	主送具	差送具	押具	上叉	勾針	針號	馬達
C007KD-W811 C858KD /CRL/RL	248 356 364	M5248K M5356K M5364K	E5248HL E5356HL E5364HL	D2101Q	H5356H	P5248H-A P5356H-A P5364H-A	MH41	MT01	TVX5 #14	T501HE
C007KD-W811A C858KD /CRL/RL	248 356 364	M5248K M5356K M5364K	E5248JL E5356JL E5364JL	D2101Q	H5356J	P5248H-A P5356H-A P5364H-A	MH41	MT01	TVX5 #14	
C007KD-U811 C858KD /CRL/RL	248 356 364	M5248K M5356K M5364K	E5248HL E5356HL E5364HL	D2101Q	H5356H	P0965-A P0966-A P0967-A	—	MT01	TVX5 #14	
C007KD-U811A C858KD /CRL/RL	248 356 364	M5248K M5356K M5364K	E5248JL E5356JL E5364JL	D2101Q	H5356J	P0965-A P0966-A P0967-A	—	MT01	TVX5 #14	
C007KD-W811 C858KD CRL/UTP/RL	248 356 364	M5248K M5356K M5364K	E5248HL E5356HL E5364HL	D2101Q	H5356H	P5248H-A P5356H-A P5364H-A	MH41	MT01	TVX5 #14	
C007KD-W811A C858KD CRL/UTP/RL	248 356 364	M5248K M5356K M5364K	E5248JL E5356JL E5364JL	D2101Q	H5356J	P5248H-A P5356H-A P5364H-A	MH41	MT01	TVX5 #14	
C007KD-U811 C858KD CRL/UTQ/RL	248 356 364	M5248K M5356K M5364K	E5248HL E5356HL E5364HL	D2101Q	H5356H	P0965-A P0966-A P0967-A	—	MT01	TVX5 #14	
C007KD-U811A C858KD CRL/UTQ/RL	248 356 364	M5248K M5356K M5364K	E5248JL E5356JL E5364JL	D2101Q	H5356J	P0965-A P0966-A P0967-A	—	MT01	TVX5 #14	

註：C007KD-W812A/W813機型之針板與差送具為5排齒，C858KD-W812A/W813機型之針板與差送具為5排齒。
C007KD-W812/W813機型之針板與差送具為4排齒，C858KD-W812/W813機型之針板與差送具為4排齒。

MODEL 機型	SUB-CLASS 規格	NEEDLE CLAMP 針座	NEEDLE PLATE 針板	MAIN FEED DOG 主送具	DIFF. FEED DOG 差送具	PRESSER FOOT 押具	SPREADER 上叉	LOOPER 勾針	NEEDLE 針號	Motor 馬達
C007KD-W812 C858KD-W812 /CRL/RL	232 248 356 364	M5232K M5248K M5356K M5364K	E5232HM E5248HM E5356HM E5364HM	D2101Q	H5356H	P5232H-A P5248H-A P5356H-A P5364H-A	MH41	MT01	UYX128GAS#10	T501HE
C007KD-W812A C858KD-W812A /CRL/RL	248 356 364	M5248K M5356K M5364K	E5248JM E5356JM E5364JM	D2101Q	H5356J	P5248H-A P5356H-A P5364H-A	MH41	MT01	UYX128GAS#10	
C007KD-U812 C858KD-U812 /CRL/RL	248 356 364	M5248K M5356K M5364K	E5248HM E5356HM E5364HM	D2101Q	H5356H	P0965-A P0966-A P0967-A	—	MT01	UYX128GAS#10	
C007KD-U812A C858KD-U812A /CRL/RL	248 356 364	M5248K M5356K M5364K	E5248JM E5356JM E5364JM	D2101Q	H5356J	P0965-A P0966-A P0967-A	—	MT01	UYX128GAS#10	
C007KD-W812 C858KD-W812 CRL/UTP/RL	248 356 364	M5248K M5356K M5364K	E5248HM E5356HM E5364HM	D2101Q	H5356H	P5248H-A P5356H-A P5364H-A	MH41	MT01	UYX128GAS#10	
C007KD-W812A C858KD-W812A CRL/UTP/RL	248 356 364	M5248K M5356K M5364K	E5248JM E5356JM E5364JM	D2101Q	H5356J	P5248H-A P5356H-A P5364H-A	MH41	MT01	UYX128GAS#10	
C007KD-U812 C858KD-U812 CRL/UTQ/RL	248 356 364	M5248K M5356K M5364K	E5248HM E5356HM E5364HM	D2101Q	H5356H	P0965-A P0966-A P0967-A	—	MT01	UYX128GAS#10	
C007KD-U812A C858KD-U812A CRL/UTQ/RL	248 356 364	M5248K M5356K M5364K	E5248JM E5356JM E5364JM	D2101Q	H5356J	P0965-A P0966-A P0967-A	—	MT01	UYX128GAS#10	

規格件表 CONVERSION CHART

規格件表 CONVERSION CHART

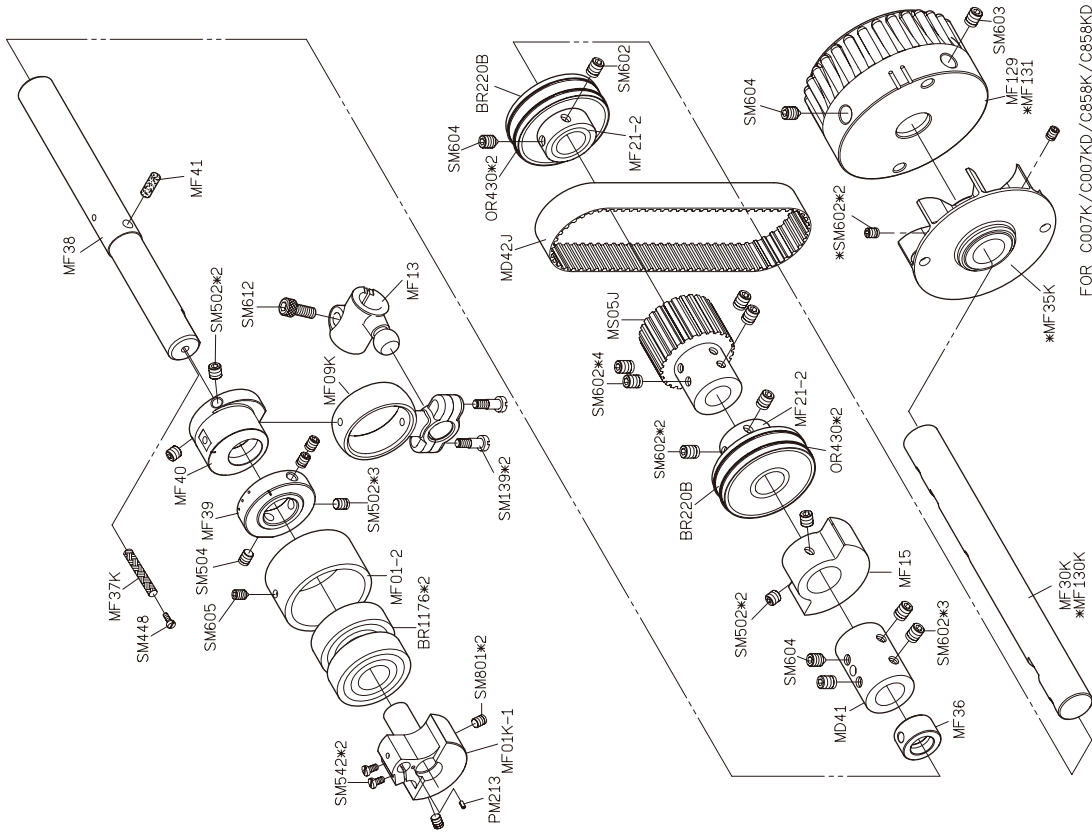
MODEL	SUB-CLASS	NEEDLE CLAMP	NEEDLE PLATE	MAIN FEED DOG	DIFF. FEED DOG	PRESSER FOOT	SPREADER	LOOPER	NEEDLE	Motor
機型	規格	針座	針板	主送具	差送具	押具	上叉	勾針	針號	馬達
C007KD-W812 C858KD-W812A /CRL/UTR	248 356 364	M5248K M5356K M5364K	E5248HM E5356HM E5364HM	D2101Q	H5356H	P5248H-A P5356H-A P5364H-A	MH41	MT01	UYX128GAS#10	T501HE
C007KD-W812A C858KD-W812A /CRL/UTR	248 356 364	M5248K M5356K M5364K	E5248JM E5356JM E5364JM	D2101Q	H5356J	P5248H-A P5356H-A P5364H-A	MH41	MT01	UYX128GAS#10	
C007KD-U812 C858KD-U812 /CRL/UTS	248 356 364	M5248K M5356K M5364K	E5248HM E5356HM E5364HM	D2101Q	H5356H	P0965-A P0966-A P0967-A	MH41	MT01	UYX128GAS#10	
C007KD-U812A C858KD-U812A /CRL/UTS	248 356 364	M5248K M5356K M5364K	E5248JM E5356JM E5364JM	D2101Q	H5356J	P0965-A P0966-A P0967-A	MH41	MT01	UYX128GAS#10	
C007KD-W813 C858KD-W813A /CRL/RL	248 356 364	M5248K M5356K M5364K	E5248HH E5356HH E5364HH	D2101Q	H5356H	P5248H-A P5356H-A P5364H-A	MH41	MT01	UYX128GAS#10	
C007KD-W813A C858KD-W813A /CRL/RL	248 356 364	M5248K M5356K M5364K	E5248JH E5356JH E5364JH	D2101Q	H5356J	P5248H-A P5356H-A P5364H-A	MH41	MT01	UYX128GAS#10	
C007KD-U813 C858KD-U813 /CRL/RL	248 356 364	M5248K M5356K M5364K	E5248HH E5356HH E5364HH	D2101Q	H5356H	P0965-A P0966-A P0967-A	—	MT01	UYX128GAS#10	
C007KD-U813A C858KD-U813A /CRL/RL	248 356 364	M5248K M5356K M5364K	E5248JH E5356JH E5364JH	D2101Q	H5356J	P0965-A P0966-A P0967-A	—	MT01	UYX128GAS#10	

註：C007KD-W812A/W813機型之針板與差送具為5排齒；C858KD-W812A/W813機型之針板與差送具為5排齒。
C007KD-W812/W813機型之針板與差送具為4排齒；C858KD-W812/W813機型之針板與差送具為4排齒。

MODEL 機型	SUB-CLASS 規格	NEEDLE CLAMP 針座	NEEDLE PLATE 針板	MAIN FEED DOG 主送具	DIFF. FEED DOG 差送具	PRESSER FOOT 押具	SPREADER 上叉	LOOPER 勾針	NEEDLE 針號	Motor 馬達
C007KD-W813 C858KD /CRL/UTR	248 356 364	M5248K M5356K M5364K	E5248HH E5356HH E5364HH	D2101Q	H5356H	P5248H-A P5356H-A P5364H-A	MH41	MT01	TXV5 #14	馬達 T501HE
C007KD-W813A /CRL/UTR	248 356 364	M5248K M5356K M5364K	E5248JH E5356JH E5364JH	D2101Q	H5356J	P5248H-A P5356H-A P5364H-A	MH41	MT01	TXV5 #14	
C007KD-U813 C858KD /CRL/UTS	248 356 364	M5248K M5356K M5364K	E5248HH E5356HH E5364HH	D2101Q	H5356H	P0965-A P0966-A P0967-A	MH41	MT01	TXV5 #14	
C007KD-W813A C858KD /CRL/UTS	248 356 364	M5248K M5356K M5364K	E5248JH E5356JH E5364JH	D2101Q	H5356J	P0965-A P0966-A P0967-A	MH41	MT01	TXV5 #14	馬達 T501HE
C007KD-W922 C858KD /CW	456 464	M5456K M5464K	E5456KM E5464KM	D5456K	H5456K	P5456K-A P5464K-A	MH41	MT01B	SM1014B#10 (MY1014B#70,SY7256)	
C007KD-W922/ C858KD /CW/UTP	456 464	M5456K M5464K	E5456KM E5464KM	D5456K	H5456K	P5456K-A P5464K-A	MH41	MT01B	SM1014B#10 (MY1014B#70,SY7256)	
C007KD-W922/ C858KD /CW/UTR	456 464	M5456K M5464K	E5456KM E5464KM	D5456K	H5456K	P5456K-A P5464K-A	MH41	MT01B	SM1014B#10 (MY1014B#70,SY7256)	

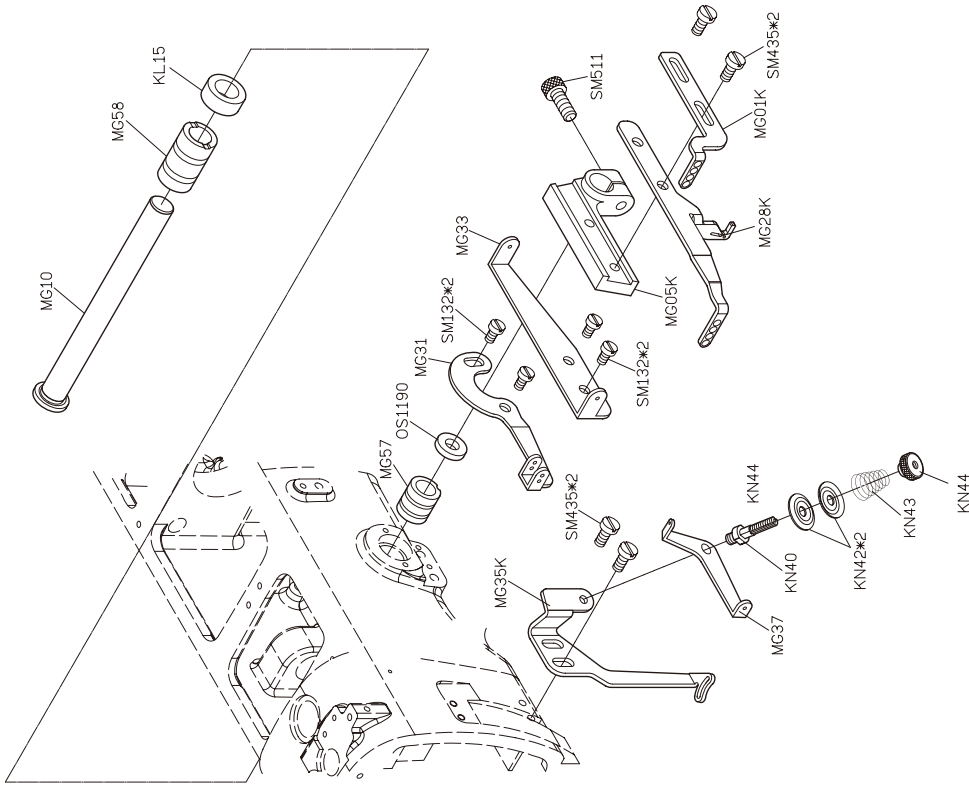
註：C007KD-W812A/W813機型之針板與差送具為5排齒；C007KD-W812A/W813機型之針板與差送具為5排齒。
C007KD-W812/W813機型之針板與差送具為4排齒；C007KD-W812/W813機型之針板與差送具為4排齒。

PARTS LIST FOR MF GROUP

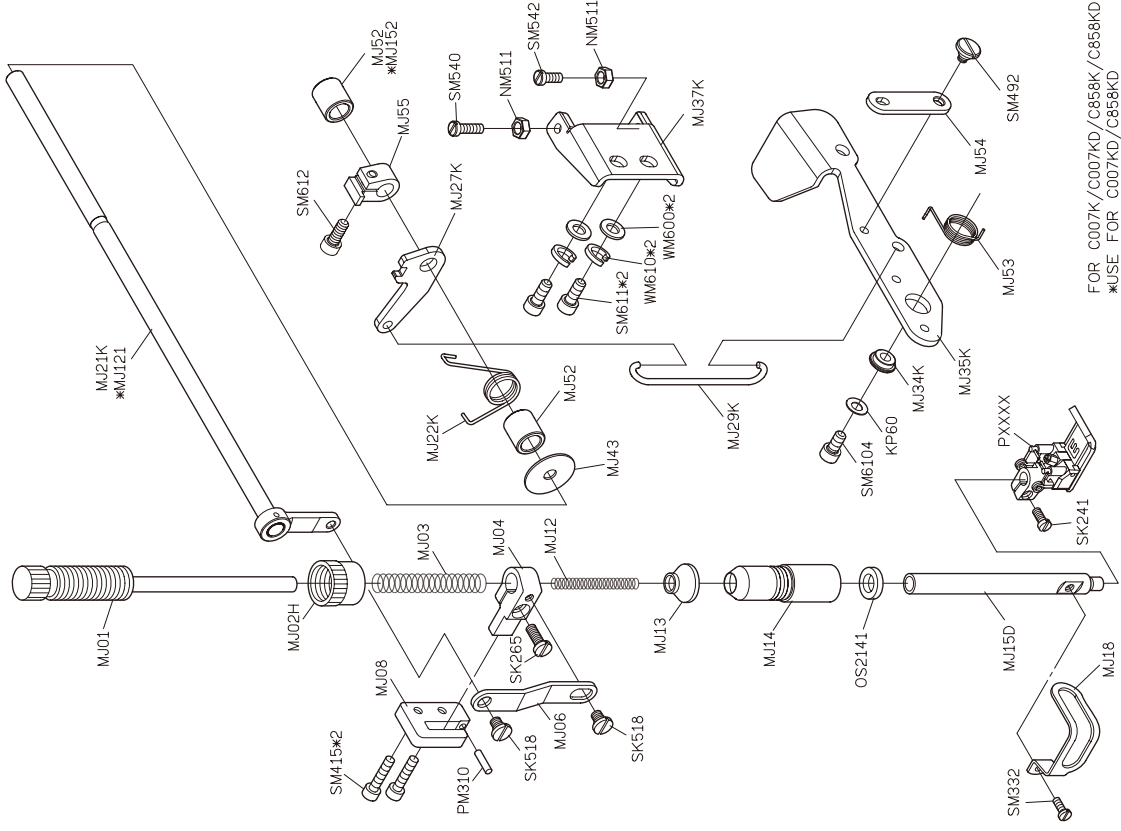


FOR C007K/C007KD/C858K/C858KD
USE FOR C007MD/C858KD

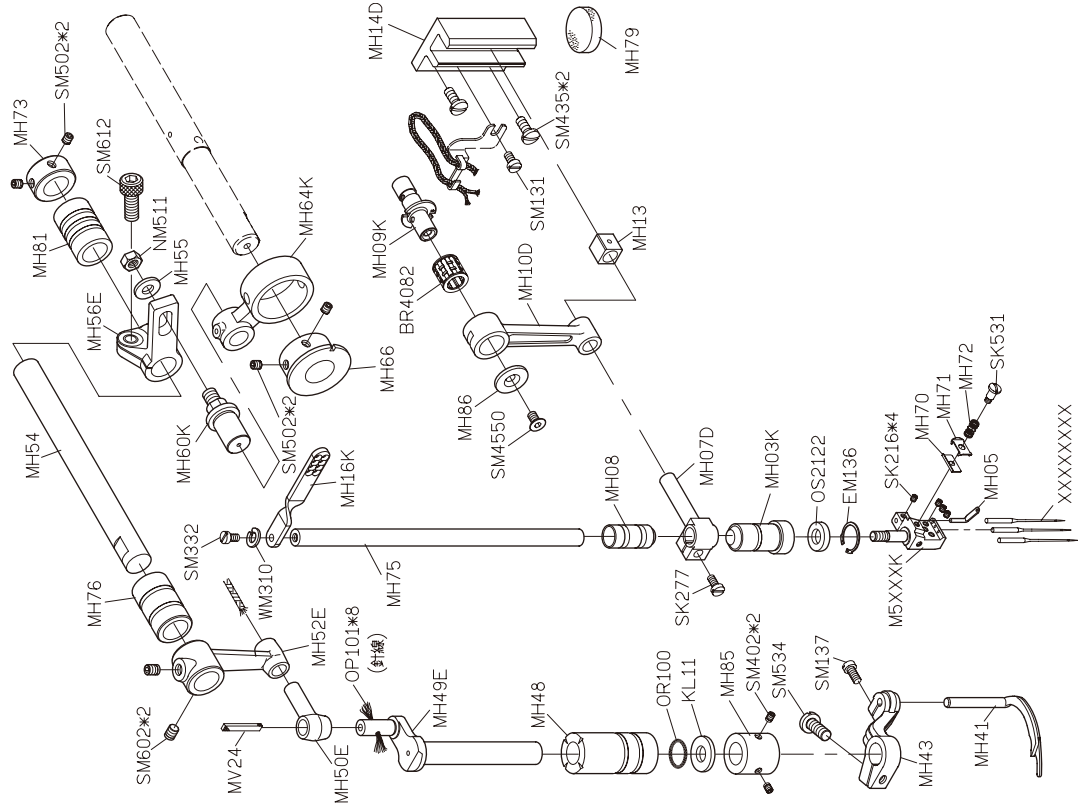
PARTS LIST FOR MG GROUP



FOR C007K/C007KD/C858K/C858KD



FOR C007K/C007KD/C858K/C858KD
 *USE FOR C007KD/C858KD



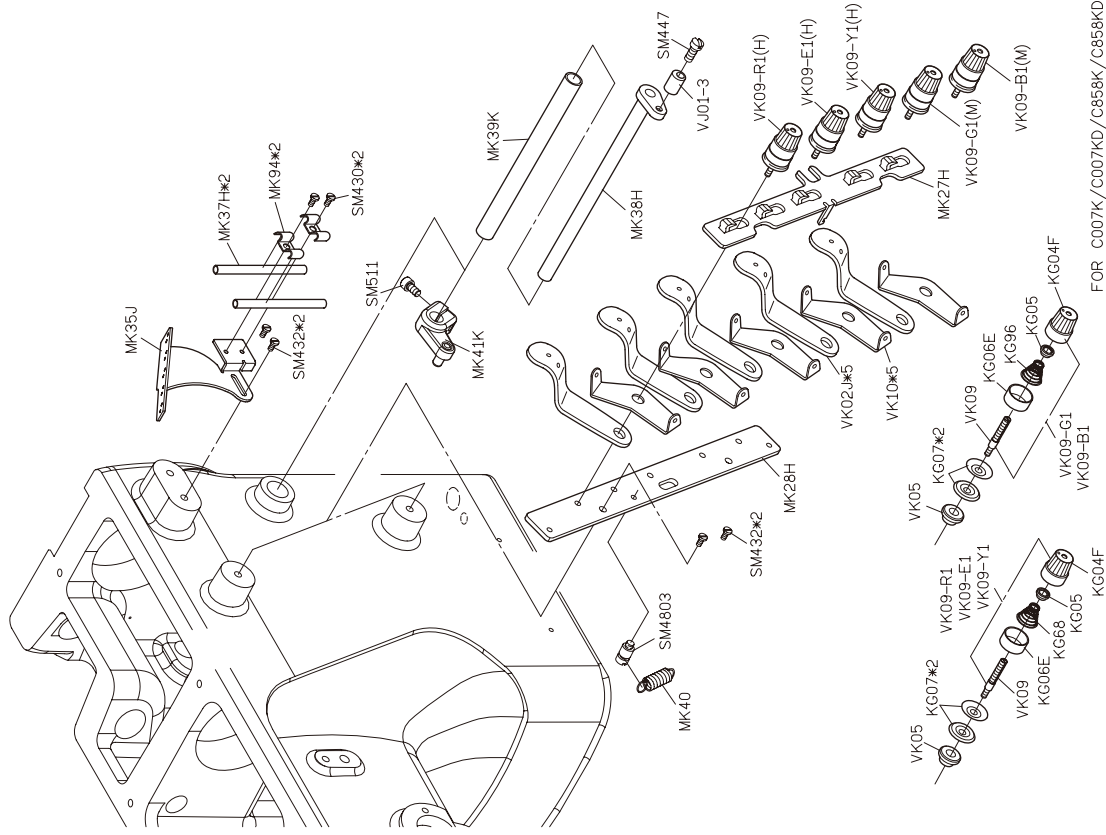
FOR C007K/C007KD/C858K/C858KD

PARTS LIST FOR MJ GROUP

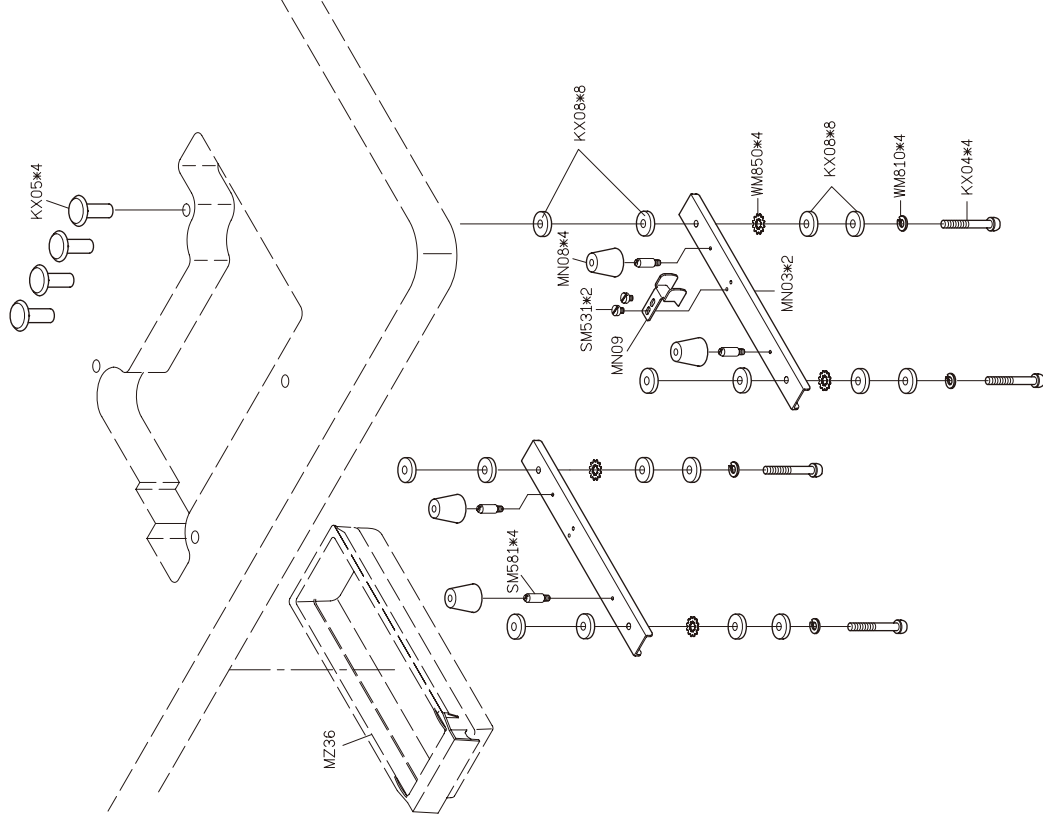
PARTS LIST FOR MH GROUP

PARTS LIST FOR MK GROUP

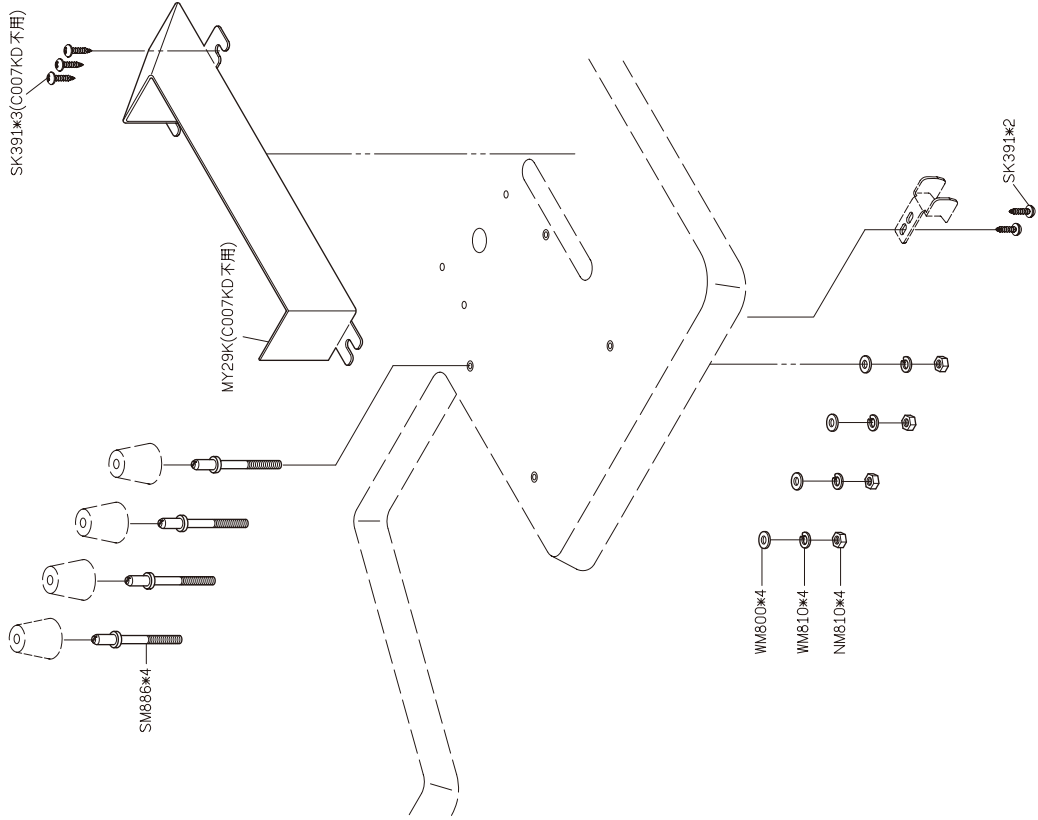
PARTS LIST FOR MN GROUP



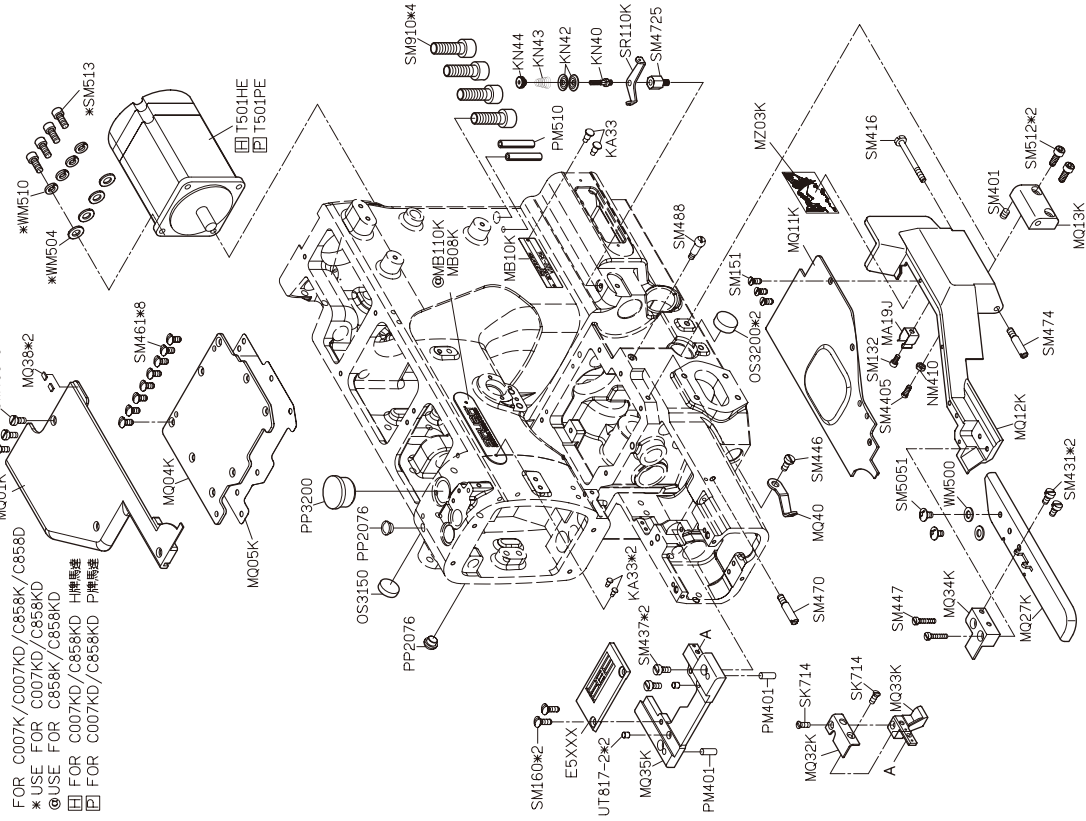
FOR C007K/C007KD/C858K/C858KD



FOR C007K/C007KD/C858K/C858KD



FOR C007K/C007KD/C858K/C858KD

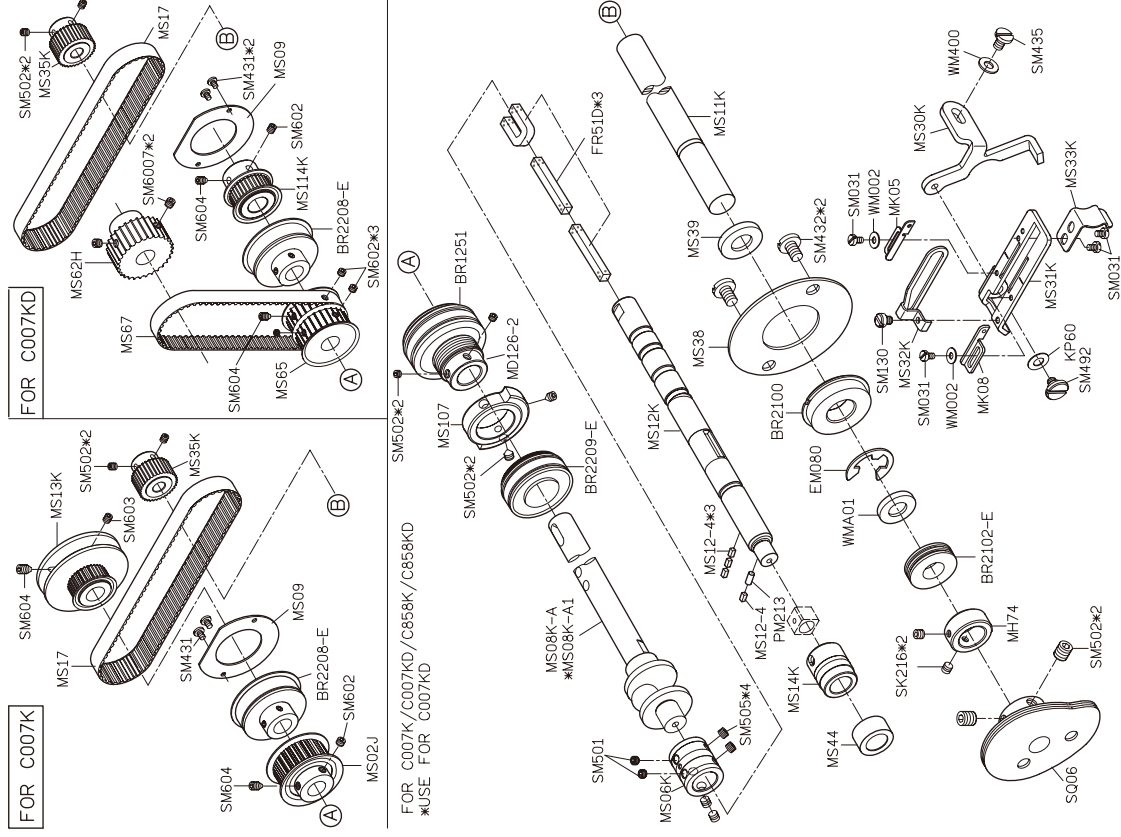
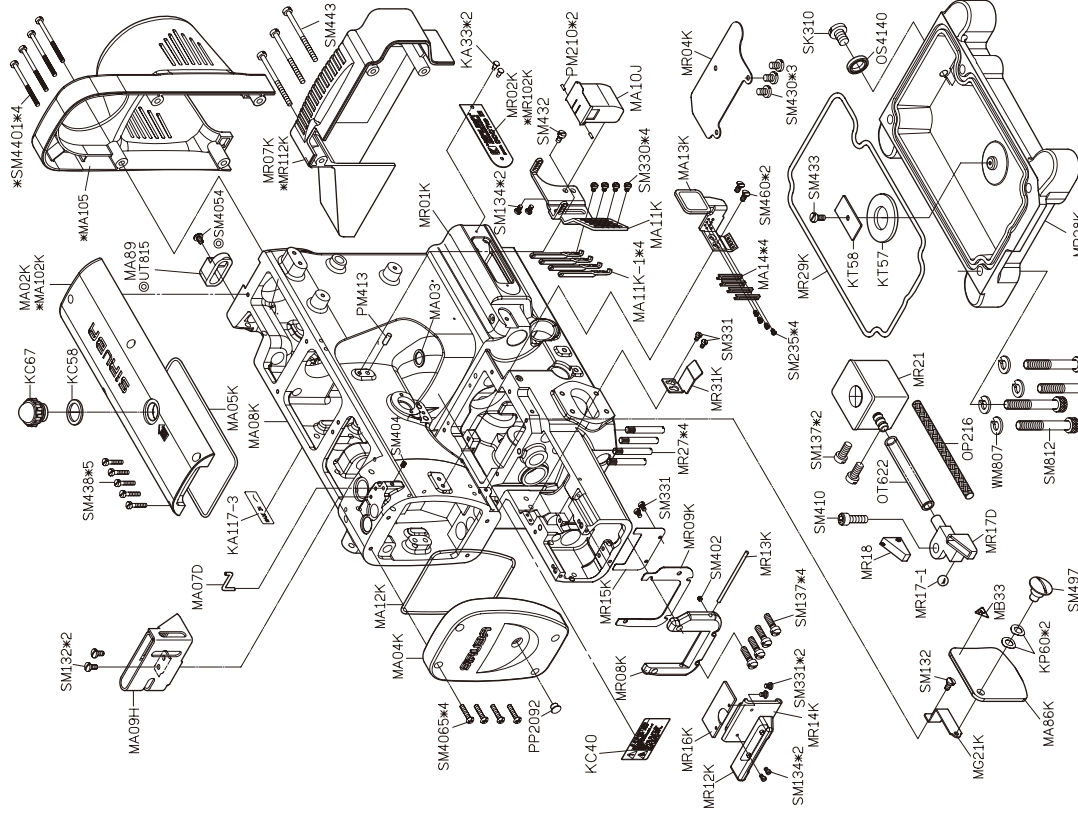


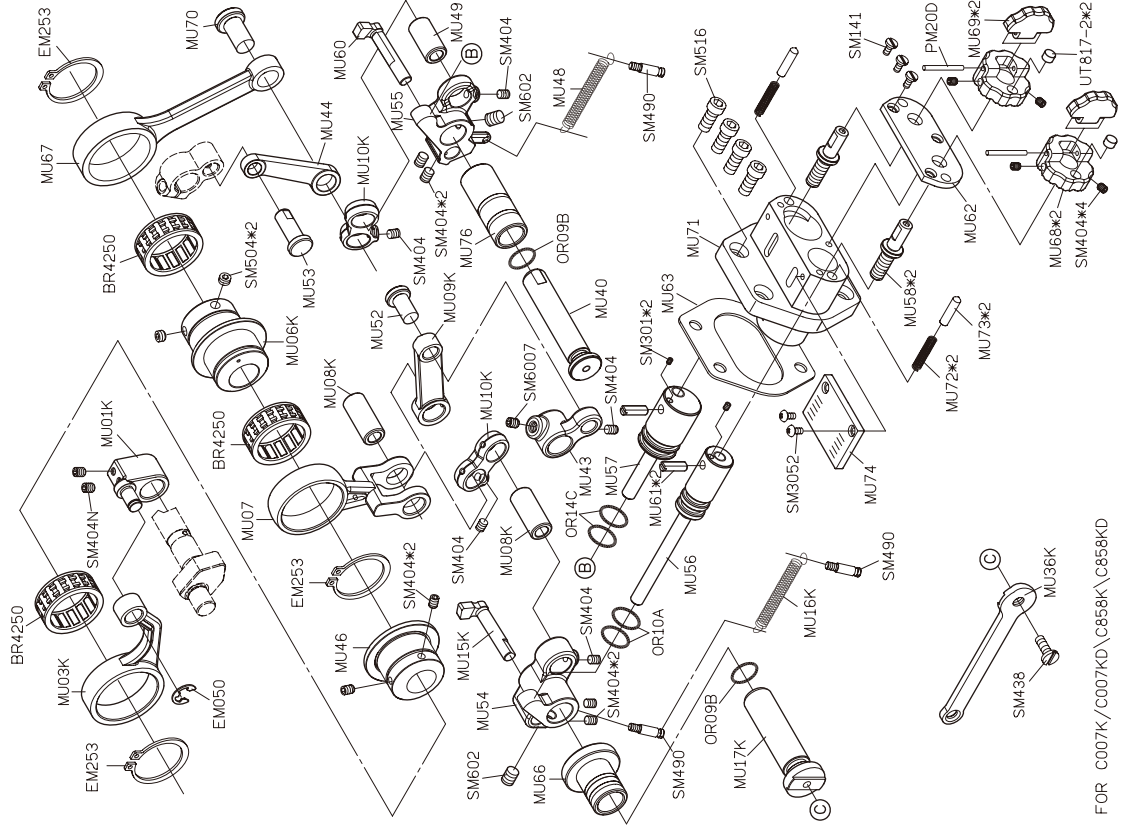
PARTS LIST FOR MN GROUP

PARTS LIST FOR MQ GROUP

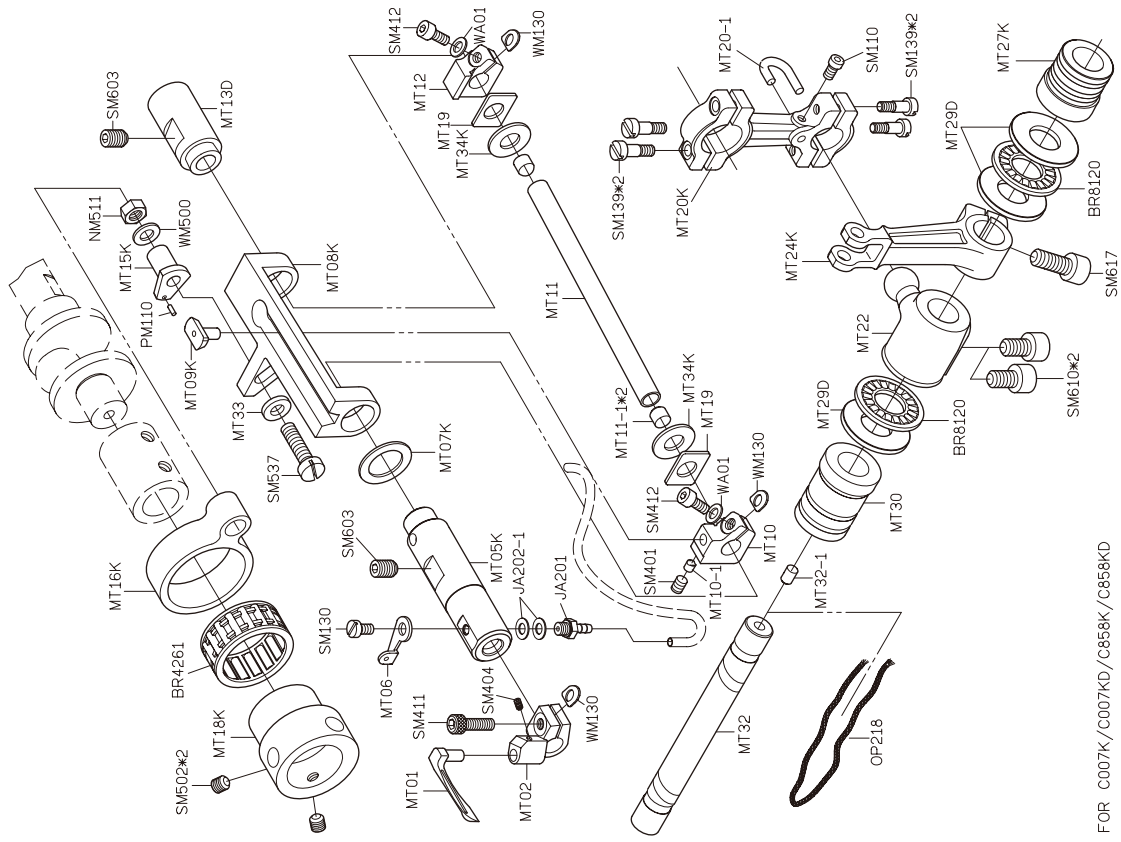
PARTS LIST FOR MR GROUP

PARTS LIST FOR MS GROUP





FOR C007K/C007KD\C858K\C858KD

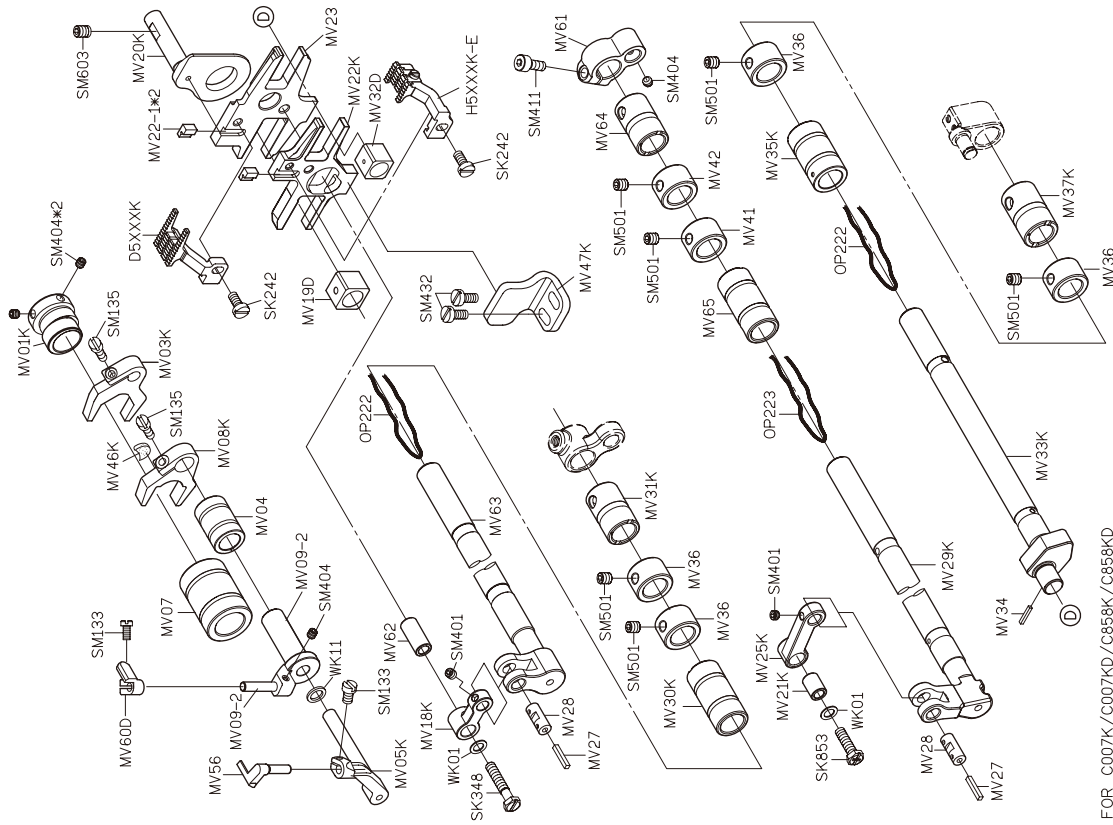


FOR C007K/C007KD\C858K\C858KD

PARTS LIST FOR MT GROUP

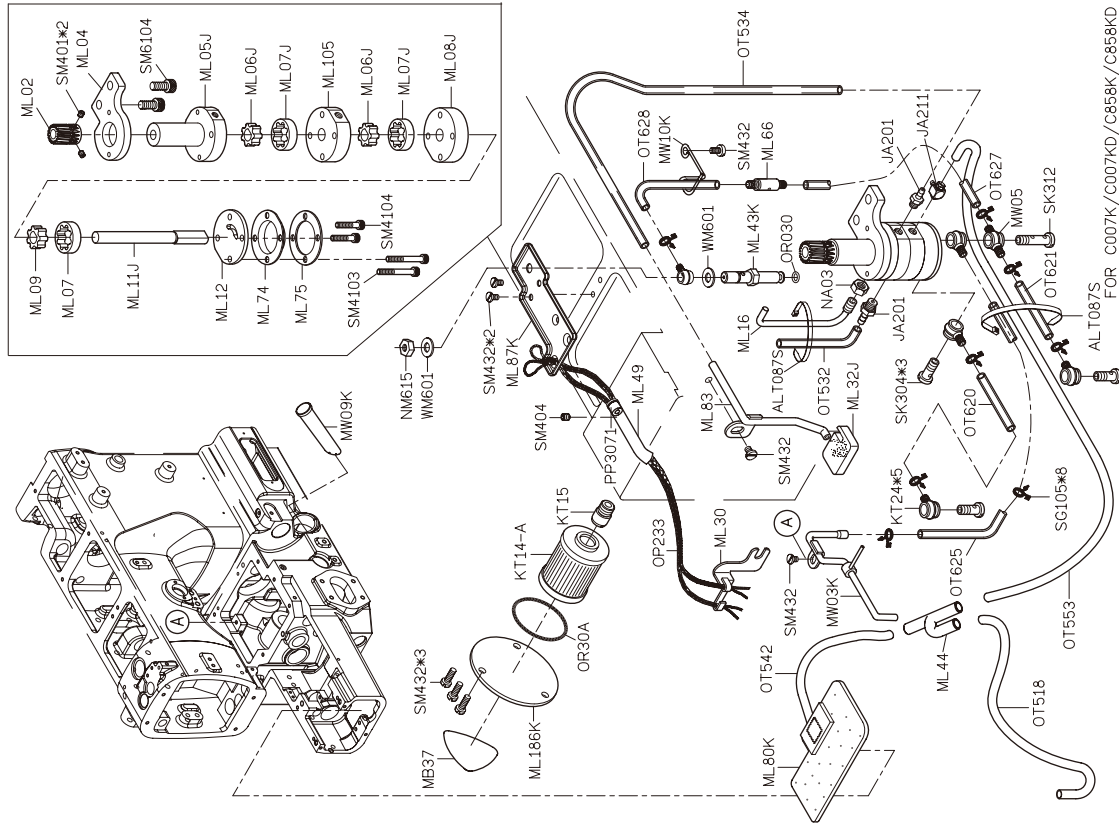
PARTS LIST FOR MU GROUP

PARTS LIST FOR MV GROUP

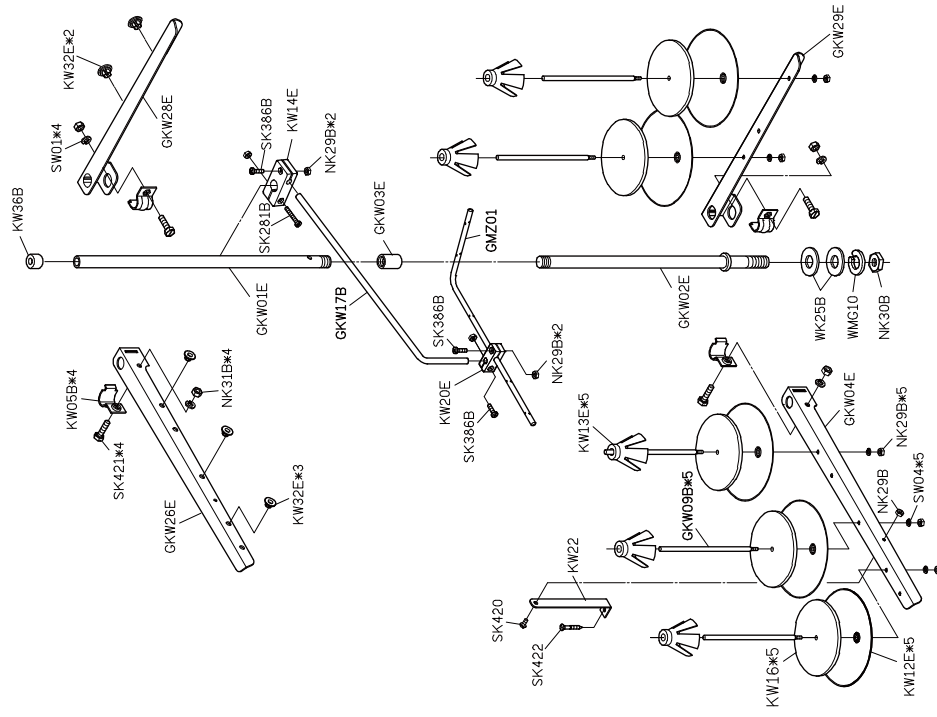
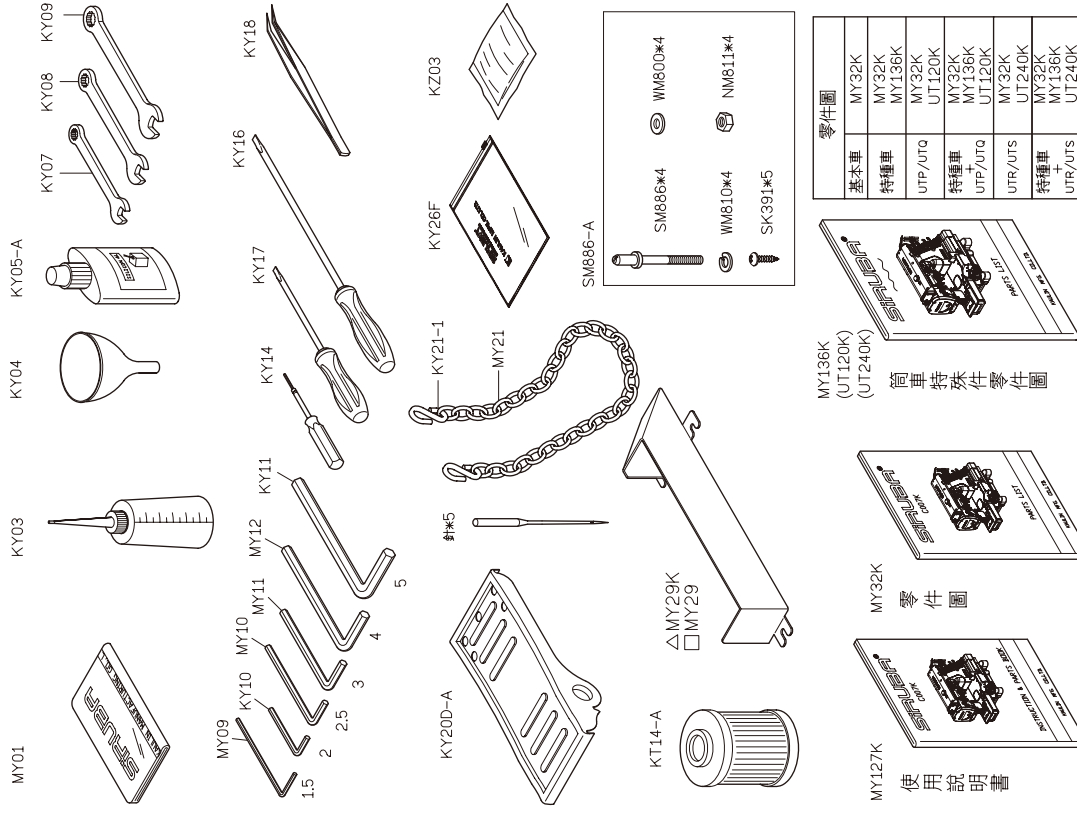


FOR C007K/C007KD/C858K/C858KD

PARTS LIST FOR MW GROUP



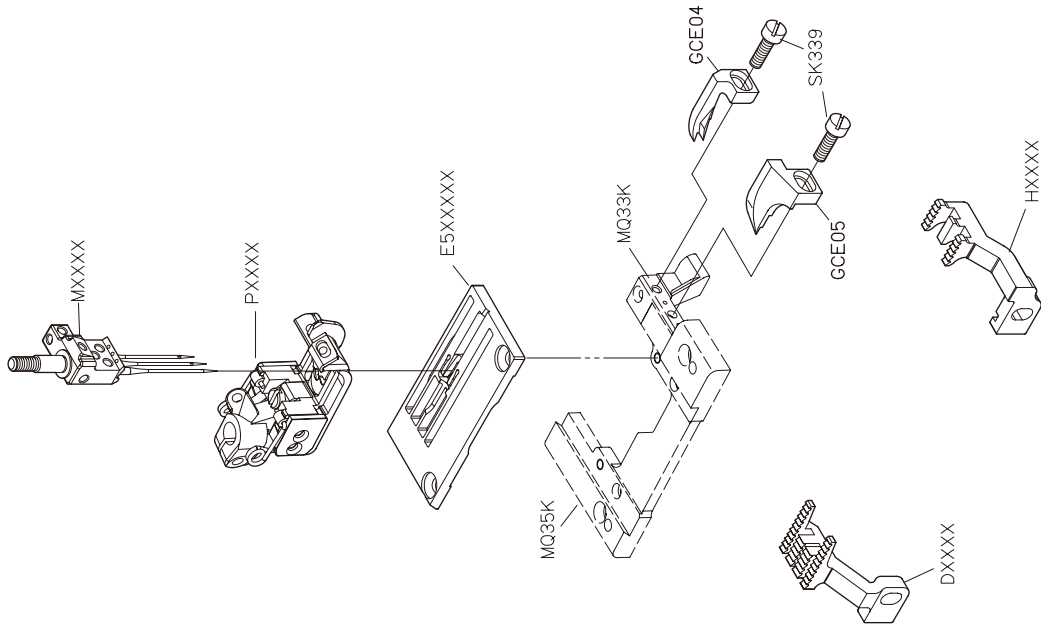
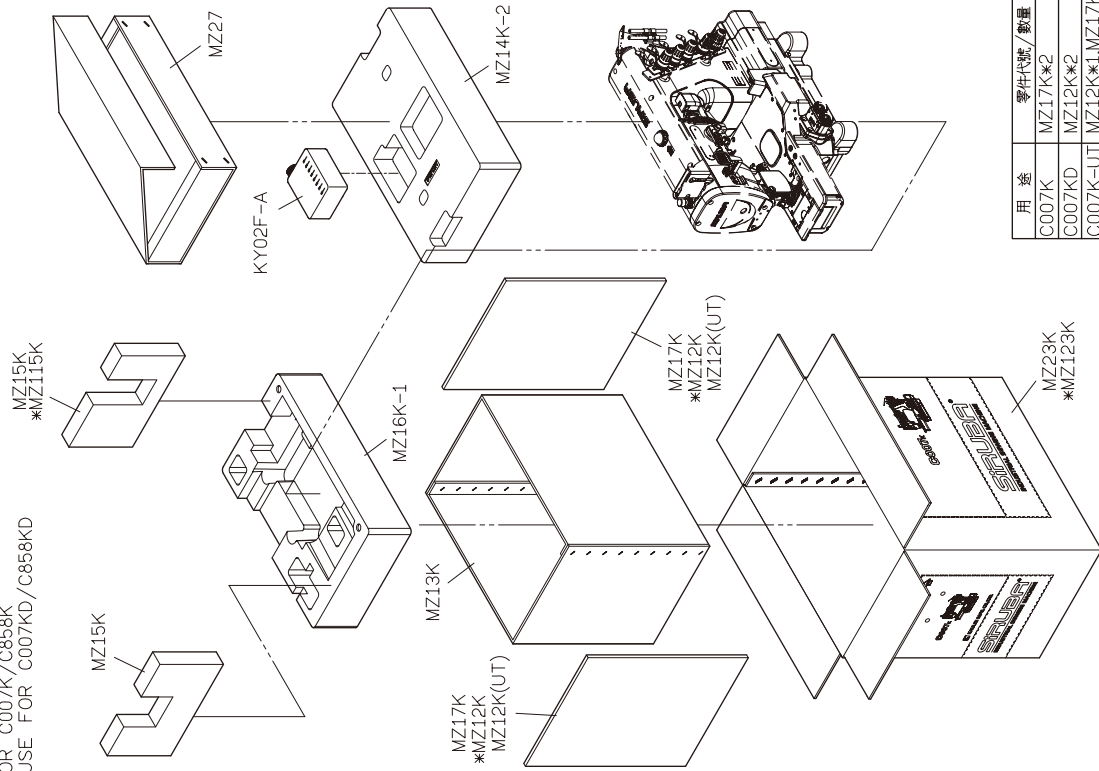
FOR C007K/C007KD/C858K/C858KD



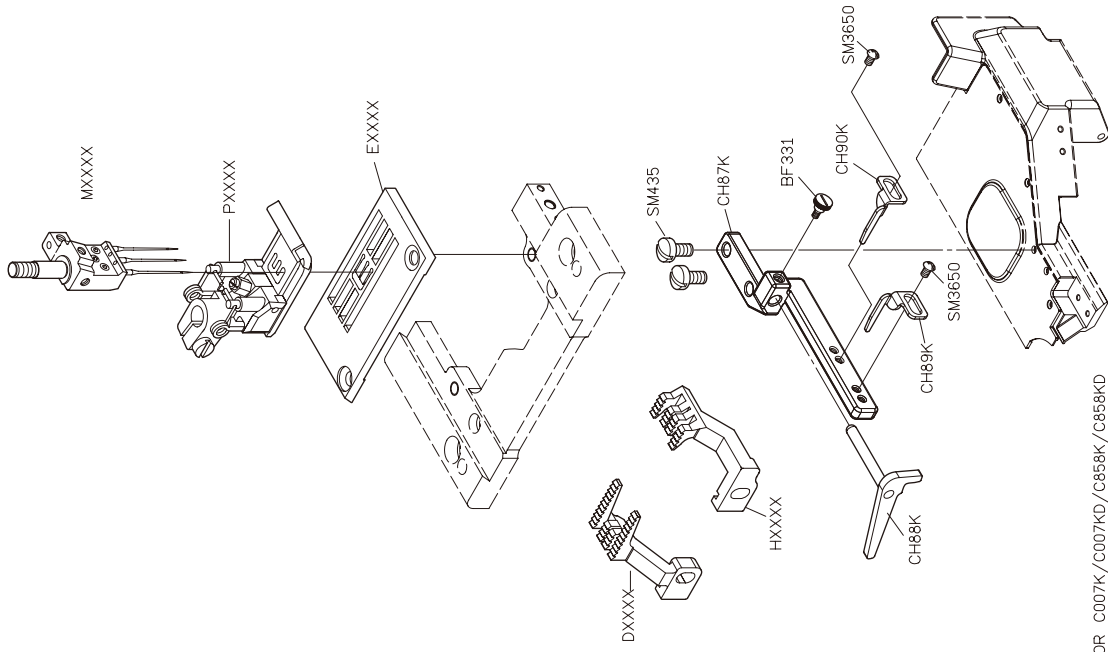
PARTS LIST FOR MZ GROUP

PARTS LIST FOR CC GROUP

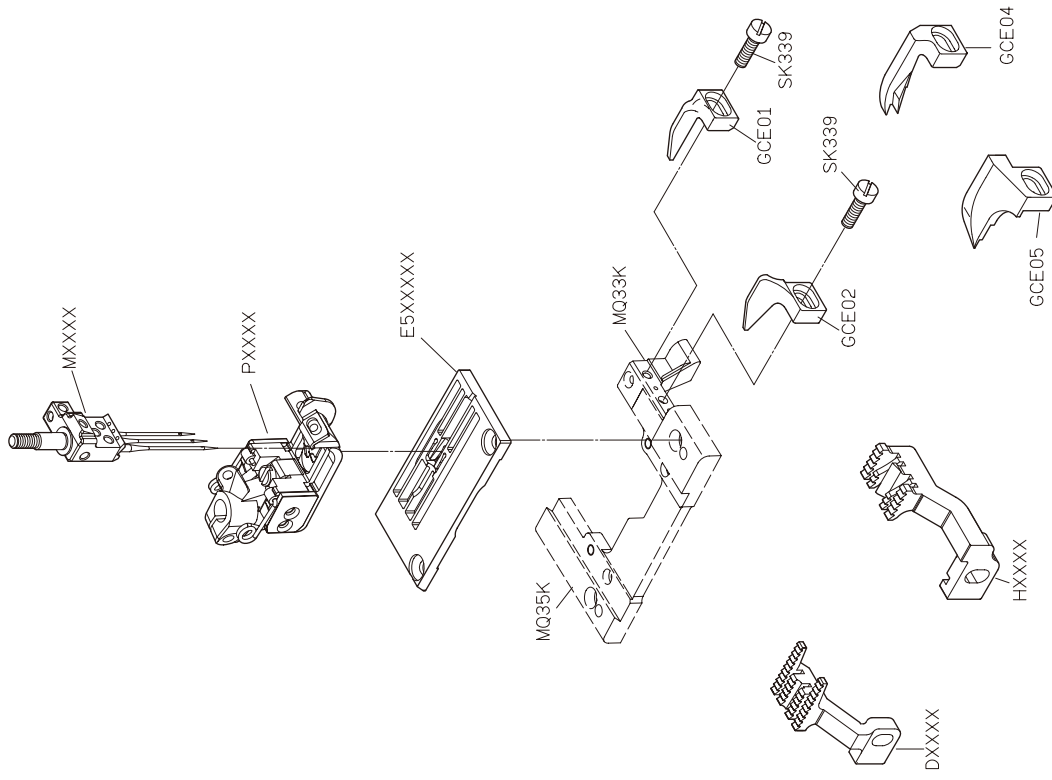
FOR C007K/C858K
 *USE FOR C007KD/C858KD



FOR C007K/C007KD/C858K/C858KD



FOR C007K/C007KD/C858K/C858KD



FOR C007K/C007KD/C858K/C858KD



C007K / C007KD
C858K / C858KD

高林股份有限公司 KAULIN MFG. CO., LTD.